

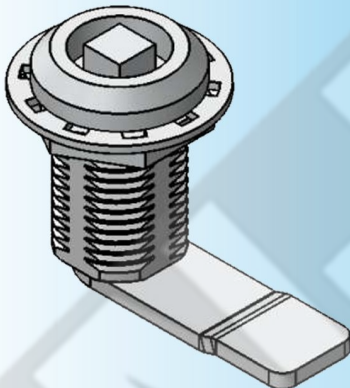
For Product Step File or 3D Model Send a Request Mail To info@nrack.com



Photo View



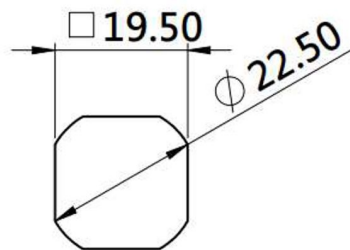
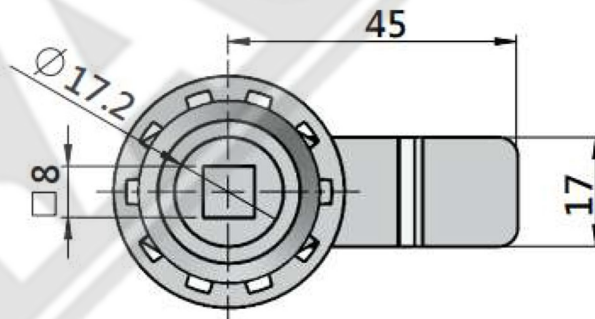
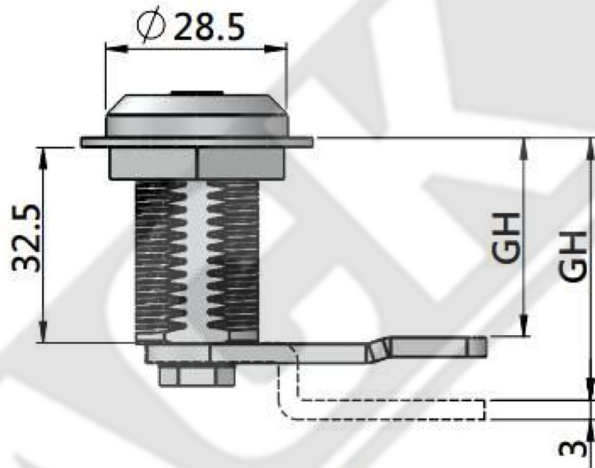
3D Rendered View



MS 816 - 1

- Material: Zinc Die Casting-Body, Steel-Cam
- Finish: Black Powder Coating

Compression Locks



GRIPPING HEIGHT (GH)
32.5
40
50